



LOCATION 12 / 13 - STUDENT HOUSING

PROJECT: TRASH ENCLOSURES

CLIENT:

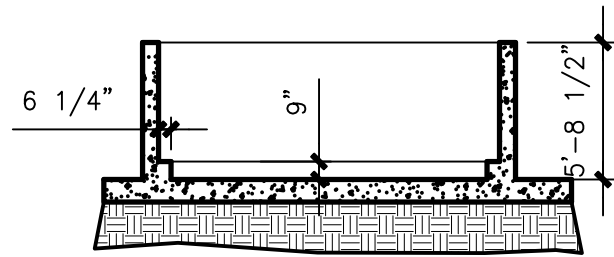
DRAWN BY: KT DATE: 7/2013

CHECKED BY: XX DATE: 00/00/00

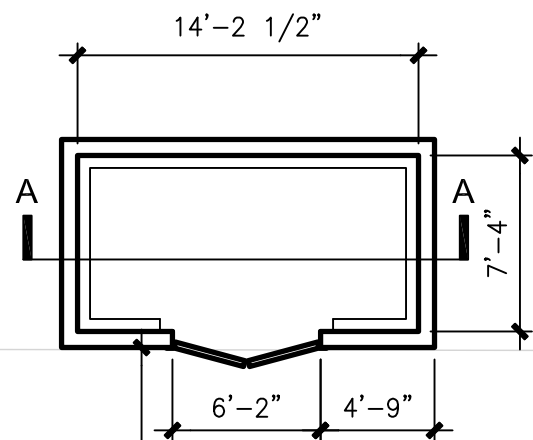
Rev. Date: XXX Rev. Note: XXX

Project Manager:

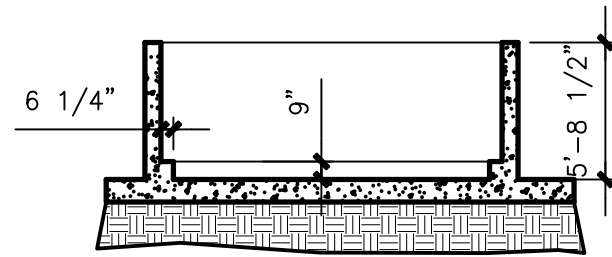
SCALE: 1/8" = 1'-0"



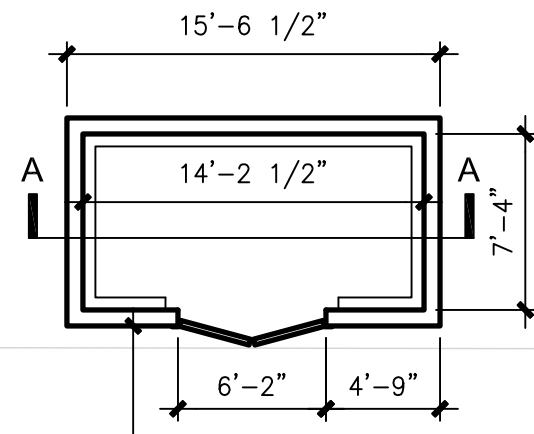
SECTION A



LOCATION 12



SECTION A



LOCATION 13